

GENERAL SPECIFICATIONS

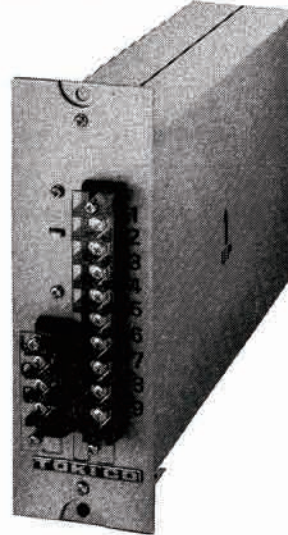
TOKICO

No. EF4306 - 01

EHP4 SERIES PULSE CONVERTER

EHP4 series pulse converter converts the flow rate pulse signal ranging from low frequency to high frequency which is transmitted from various flow meters into the analog signal in proportion to the flow rate, and outputs it to indicators, recorders, adjusters, etc.

As the additional specification, the pulse output to drive a electromagnetic counter can be available.



STANDARD SPECIFICATION

Input	Contact pulse	Full scale frequency: 0.5~10Hz
	Voltage pulse	Full scale frequency: 5~1000Hz Voltage level : 3~12V ^{P-P} Input impedance: approx. 20k Ω
Analog output	Output signal	one type
	Signal and load resistance	DC 4~20mA (0 500 Ω)
		DC10~50mA (0 200 Ω)
		DC 1~5V (100k Ω or more)
	Ripple	DC0~500 A (0 180 Ω) and DC0~10mV (30k Ω or more)
		Time constant
Accuracy		4 sec. or less (Input 10Hz or more) 20 sec. or less (Input 10Hz or less)
Power supply	$\pm 2\%$ FS (0.5 5Hz) $\pm 0.5\%$ FS (5 1000Hz)	
Power consumption	AC100V $\pm 10\%$ 50/60Hz (Standard) or AC110V $\pm 10\%$ 50/60Hz	
Ambient temperature	Approx. 7VA	
Ambient humidity	0 ~ 50 $^{\circ}$ C	
Mount method	20~90% RH	
Painted color	Rack mount	
Weight	Munsell N7	
		Approx. 2kg

ADDITIONAL SPECIFICATION

Counter driving output	Output signal	one type
	Supply voltage	DC24V
	Pulse width	50~100ms
	Allowable current	0.15A or less
Contact pulse output	Output signal	one type (No-voltage contact)
	Capacity of contact	DC30V, 0.5A (Non reactive load)
	Making time	50~100ms
Frequency division range		1/1, 1/10, 1/100

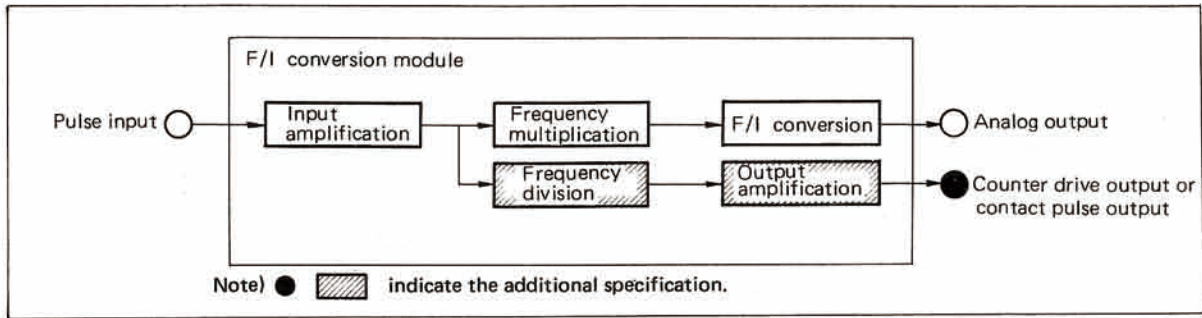
Note) The additional specification output to be only one of the counter drive output or the contact pulse output.

TYPE CODE TABLE

Example of type code: EHP30A-BX

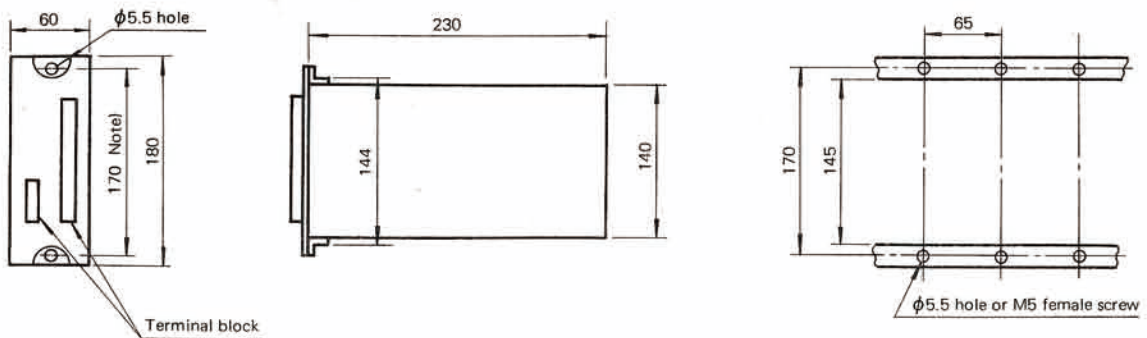
1	2	3	4	5	6	7 8		Description
						Product classification	Output specification	
Name of device	Type	Spec. No.	Power supply	Analog	Pulse			
E								Electric device for flow meter
	H							Converter
		P						Pulse converter
			4	0				Analog output only (Standard)
			4	1				Analog output and Counter drive output
			4	2				Analog output and contact pulse output
					A			AC100V $\pm 10\%$ 50/60Hz Standard
					D			AC110V 10% 50/60Hz
							B	4~20mA (Load resistance 0~500 Ω)
							C	10~50mA (Load resistance 0~200 Ω)
							E	1~5V (Load resistance 100k Ω or more)
							F	0~500 μ A (Load resistance 0~180 Ω) and 9 10mV (Load resistance 30k Ω or more)
							B	Frequency division 1/100
							C	Frequency division 1/10
							D	Frequency division 1/1
							X	None standard

STRUCTURE DIAGRAM



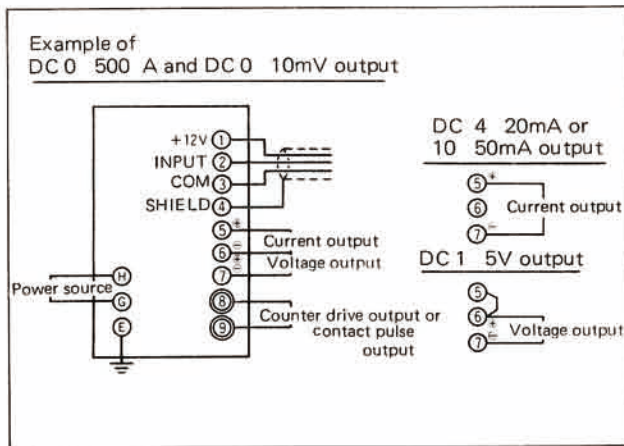
DIMENSION DRAWING

Rack mount type



Note) This power supply can be applied to the dimension of former model NU10B (202mm).

TERMINAL CONNECTION DIAGRAM



Note) 1. When the flow meter input is of 2-wire type, connect the terminals as follows.

- No-contact pulse input Connect with ① and ② (Short ② and ③)
- Contact pulse input Connect with ① and ② (Short ② and ③)
- Potter meter input Connect with ① and ③ (Short ① and ②)

CAUTION FOR ORDERING

When ordering, specify the next items.

- Type code
- Input specification
 - Type of transmitter
 - Max. flow rate
 - Unit of pulse
- Output specification
 - Type of analog output
 - flow rate at max. scale
 - type of pulse
 - Unit of pulse
- Necessity of adapter
- Usage

The dimensions and other specifications are subject to change without notice.

TOKICO LTD.

INTERNATIONAL OPERATIONS

Kyowa Kudan Bldg., 1-5-6, Kudaminami,
Chiyoda-ku, Tokyo, Japan

Cable: TOKICOTOEI Tel: 222384TOKICO J
Telephone: Tokyo (237) 1416

Printed in Japan FS 580410